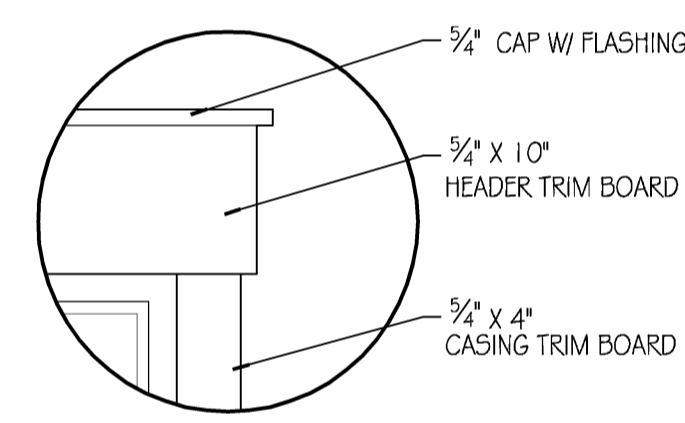
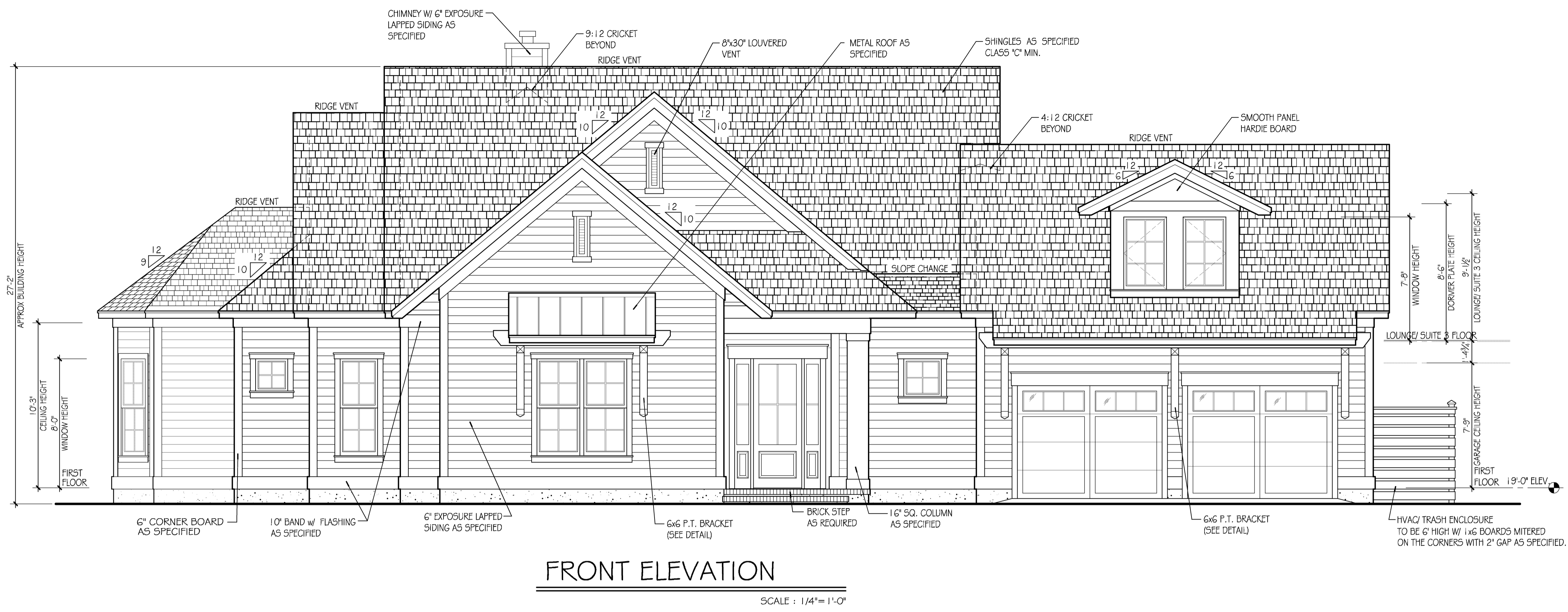
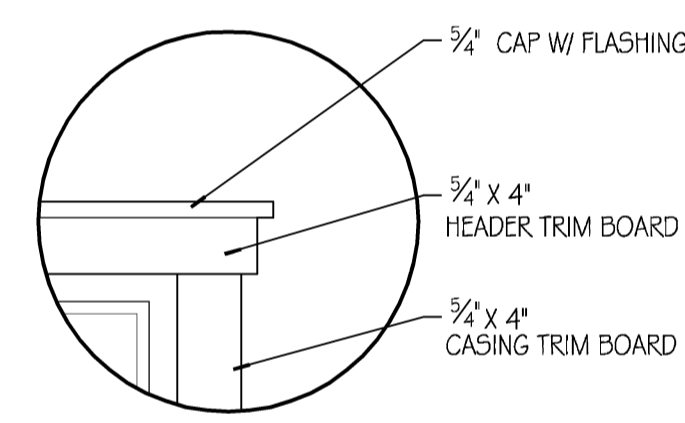


REVISIONS	BY
10.2.17	TK
TK CHANGES	SC
10.4.17	TK
HVAC ENCLOSURE	SC

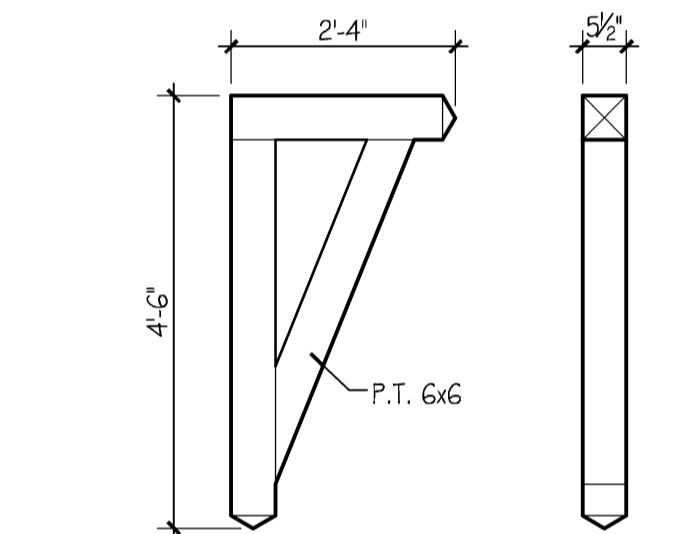
DRAWN BY:
TK//MT//JL//JJ
 DATE:
6.28.17
 PLAN:
30 Pearl Reef Ln.
 SHEET



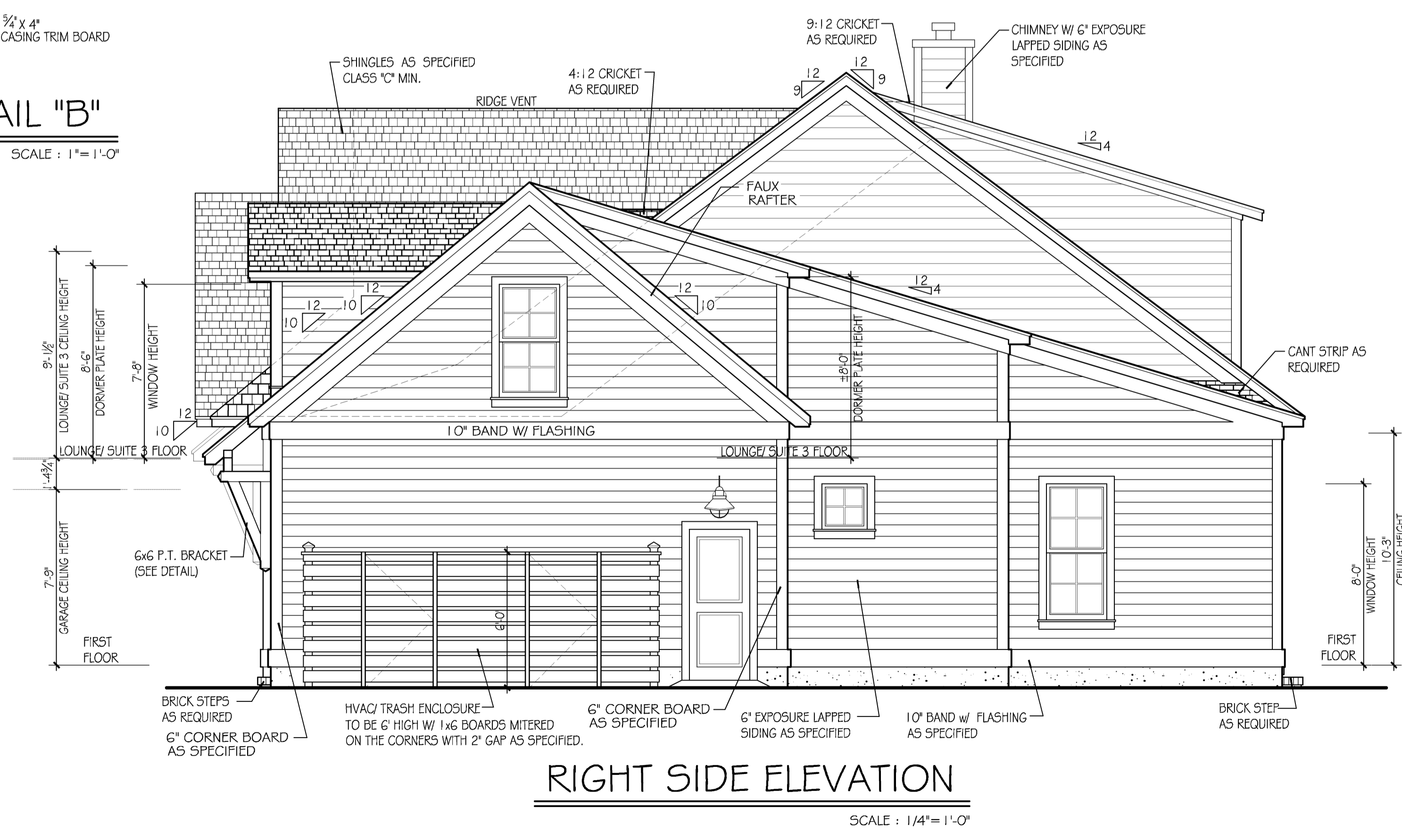
WINDOW DETAIL "A"
 @ FRONT DOOR/ GARAGE DOOR SCALE : 1" = 1'-0"



WINDOW DETAIL "B"
 @ FRONT WINDOWS ONLY SCALE : 1" = 1'-0"



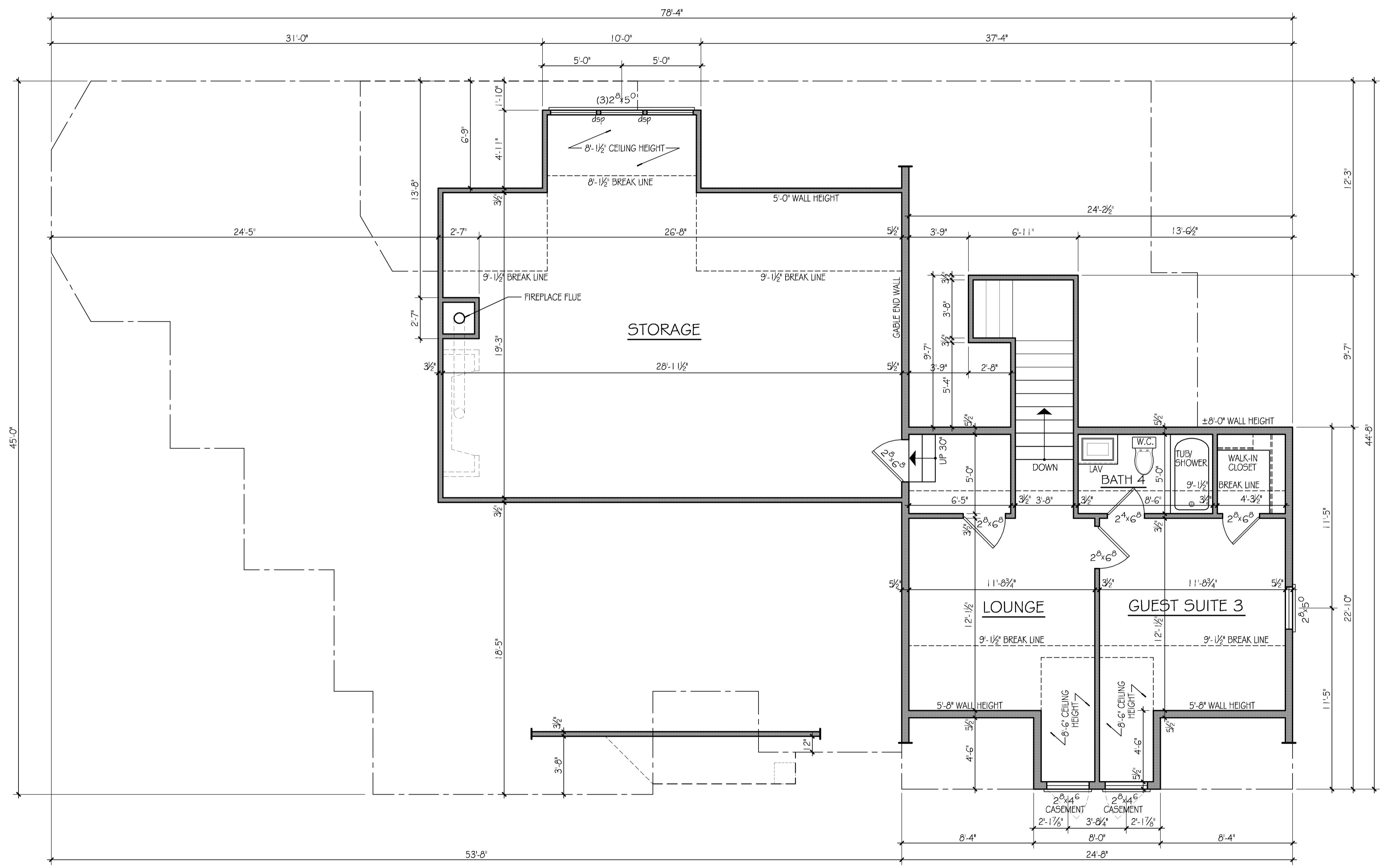
BRACKET DETAIL
 SCALE : 1/2" = 1'-0"



Design House does not assume liability for any deviation or construction methods of these plans, all information must be reviewed and confirmed prior to commencement of construction. All information, plans, specifications and designs in these drawings are the property of Design House. Any unauthorized use or duplication of these drawings may be an infringement of copyright laws and is strictly prohibited.

REVISIONS	BY
10.2.17	SC
TK CHANGES	
10.4.17	SC
HVAC ENCLOSURE	

DRAWN BY:
TK//MT/JL/JJ
DATE:
6.28.17
PLAN:
30 Pearl Reef Ln.
SHEET



SECOND FLOOR PLAN
9'-1/2" CEILING HEIGHT SCALE: 1/4" = 1'-0"

Design House does not assume liability for any deviation or construction methods of these plans, all information must be reviewed and confirmed prior to commencement of construction. All information, plans, specifications and designs in these drawings are the property of Design House. Any unauthorized use or duplication of these drawings may be an infringement of copyright laws and is strictly prohibited.

W:\Architect\Case\04_2017_11\Fp...